



# SLIM 15" PPC

15" Fanless Panel PC  
with Intel® Atom™ Bay Trail Processor

## Features:

- 15" LCD with resistive touch screen
- Intel® Atom™ Bay Trail J1900 / E3825 / E3845 SoC
- DDR3L 2GB / 4GB on board
- 2 x GbE, 4 x COM, VGA, 4 x USB 2.0
- Audio, Wide Range 9~36V DC input

## Specifications :

Motherboard	2I385CW	
CPU	Intel® Atom™ Bay Trail E3845 1.91 GHz (Quad Core)	
Chipset	Intel Bay Trail SoC	
Memory	DDR3L 4GB integrated	
Storage	mSATA, HDD / SSD*	
Expansion slots	1 x Full-size Mini PCIe (PCIe / USB / mSATA)	
	1 x Half-size Mini PCIe (USB / mSATA)	
I/O ports	Network	2 x Intel GbE
	USB	4 x USB 2.0
	Serial ports	1 x RS232 (Optional to RS422 / 485) 3 x RS232 (Optional to RS485)
	Display	1 x VGA
	Audio	Line-out / MIC-in
Optional Modules & Function	GPS, Bluetooth, PoE, WiFi, 4G LTE, Isolated	
	COM, battery UPS	
	*SATA Kit, *VESA Mount Kit	
	*External power adapter	
Certification	CE / FCC	
OS Support	Windows 10, Linux	

## Mechanical

Dimensions	384W x 312D x 70.5H mm
Weight	4 kg
Mounting	VESA mount & Stand (optional)

## Power

DC input	+9~36V
AC input	External adapter 100 / 240V, AC-DC (optional)

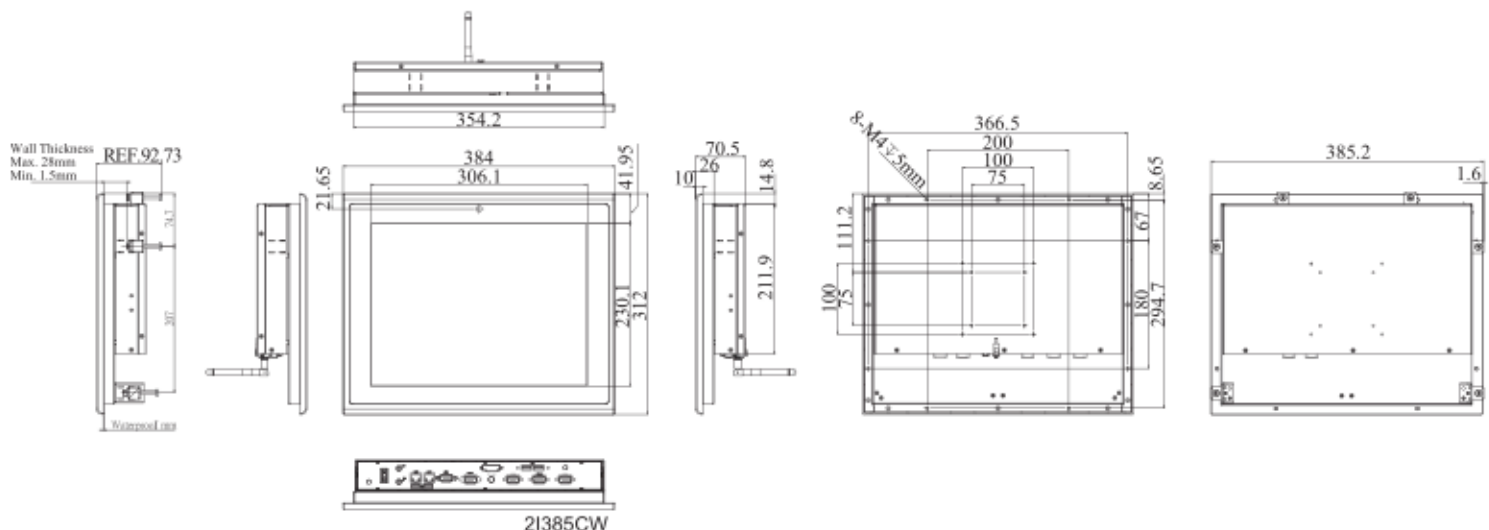
## LCD Display & Touch

Display Type	15 inch 4:3
Max. Resolution	1024 x 768
Viewing Angle	60(U) 80(D) 80(R) 80(L)
Luminance (cd/m <sup>2</sup> )	400
Contrast Ratio	700:1
Touch Type	Resistive Touch Screen

## Environment

Operating Temp.	-20°C to +60°C with mSATA / SSD
[100% CPU usage]	0°C to +50°C with HDD
Storage Temp.	-20°C to +70°C
Relative Humidity	95% @ 40°C, non-condensing
IP Rating	Front panel IP65 Compliant

## Dimension



Specification are subject to change without prior notice. ODM / OEM is available.