



# STAR 10.4" PPC

10.4" Fanless Panel PC with Intel® Atom™ Bay Trail Processor

## Features:

- 10.4" LCD with resistive touch screen
- Intel® Atom™ Bay Trail J1900 / E3825 / E3845 SoC
- DDR3L 2GB / 4GB on board
- 2 x GbE, 4 x COM, VGA, 4 x USB, Audio
- Wide Range 9~36V DC input
- Aluminum housing

## Specifications :

Motherboard	2I385CW	
CPU	Intel® Atom™ Bay Trail J1900 / E3825 / E3845	
Chipset	Intel Bay Trail SoC	
Memory	DDR3L 2GB / 4GB on board	
Storage	mSATA, HDD / SSD*	
Expansion slots	1 x Full-size Mini PCIe (PCIe / USB / mSATA) 1 x Half-size Mini PCIe (USB / mSATA)	
I/O ports	Network	2 x Intel GbE
	USB	4 x USB 2.0
	Serial ports	4 x COM
	Display	1 x VGA
	Audio	Lin-out / Mic-in
Optional Modules & Function	GPS, Bluetooth, PoE, WiFi, 4G LTE, Isolated COM, battery UPS *SATA Kit, *VESA Mount Kit, * External power adapter	
Certification	CE / FCC, EN50155	
OS Support	Windows® 10 IOT (64bit), Windows® 8.1 (64bit), Windows® Embedded 8 Standard (64bit), Windows® 7 (32 / 64bit), Windows® Embedded Sta 7 (32 / 64bit), Ubuntu 14.10 above, Fedora 25 above, Debian 8 above, CentOS 7.3 above, Mint 18.1 above	

## Mechanical

Dimensions	279.5W x 231D x 54H mm
Weight	2.67 kg
Mounting	VESA mount & Stand (optional)

## Power

DC input	+9~36V
AC input	External adapter 100 / 240V, AC-DC (optional)

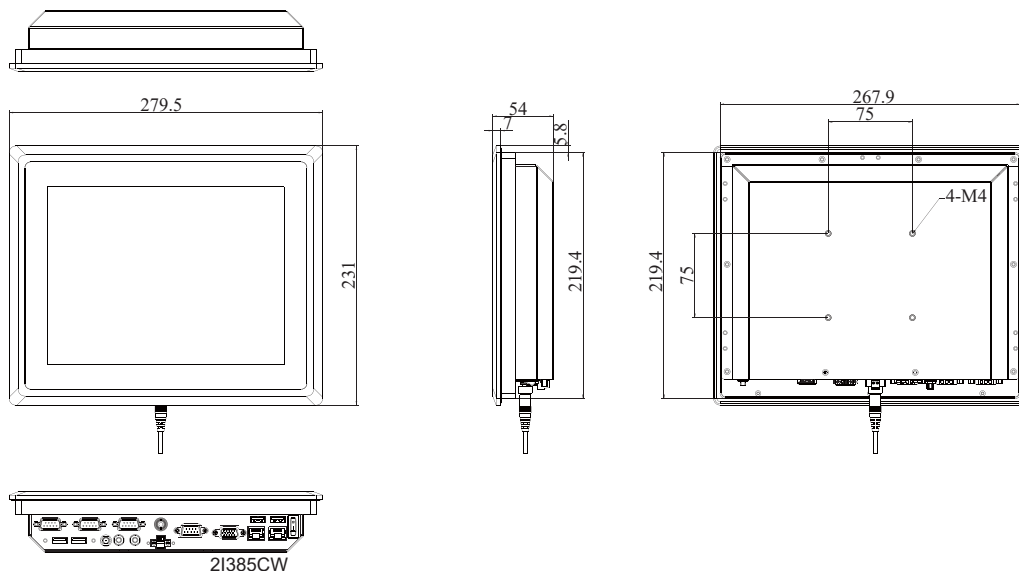
## LCD Display & Touch

Display Type	10.4 inch 4:3
Max. Resolution	1024 x 768
Viewing Angle	60(U) 70(D) 80(R) 80(L)
Luminance (cd/m <sup>2</sup> )	400
Contrast Ratio	700:1
Touch Type	Resistive Touch Screen

## Environment

Operating Temp.	-20°C to +60°C with mSATA / SSD
(100 % CPU usage)	0°C to +50°C with HDD
Storage Temp.	-20°C to +70°C
Relative Humidity	95% @ 40°C, non-condensing
IP Rating	Front panel IP65 Compliant

## Dimension



Specification are subject to change without prior notice. ODM / OEM is available.