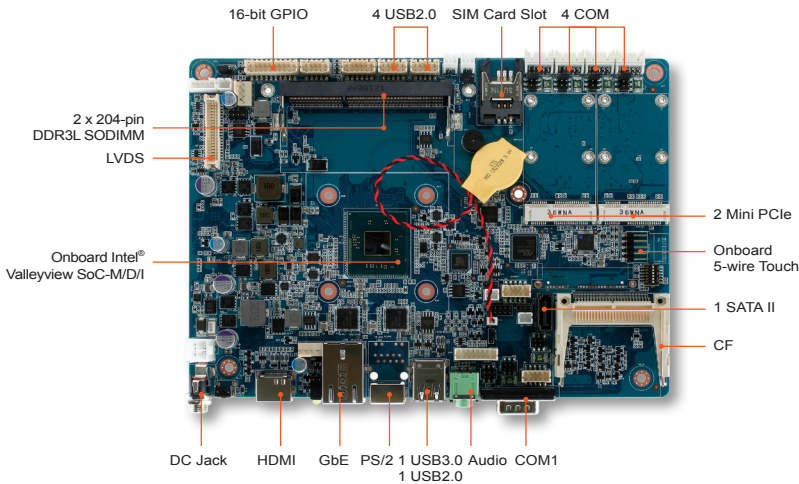




Features

- Onboard Intel® Valleyview SoC-M/D/I
- One 204-pin DDR3L SODIMM Socket, Supports Up to 8GB DDR3L 1333MHz SDRAM
- Dual Display, Dual-channel 18/24-bit LVDS, HDMI
- HD Audio, Dual Gigabit Ethernet
- 1 SATA II, 2 Mini PCIe, 1 USB 3.0, 5 USB 2.0, 6 COM, 1 CF-SATA/CF, 16-bit GPIO
- Fanless Operation



Embedded System

Qseven Module

COM Express /ETX/XTX

3.5" SBC

EPIC

5.25" SBC

ATX

Micro ATX

Mini ITX

Nano ITX

Rack Mount System

Mini ITX System

Peripherals

Index



Specifications

System

CPU	Onboard Intel® Valleyview SoC-M/D/I
BIOS	AMI uEFI BIOS, 64/128Mbit SPI Flash ROM
System Chipset	Valleyview SoC Integrated
I/O Chip	EC (IT8528E)
System Memory	One 204-pin DDR3 SODIMM Socket, Supports Up to 8GB DDR3L 1333MHz SDRAM
SSD	One CompactFlash Type I/II Socket (Supports CF-SATA)
Watchdog Timer	H/W Reset, 1sec. ~ 65535sec./1sec.step
H/W Status Monitor	Monitoring System Temperature, Voltage, and Cooling Fan Status with Auto Throttling Control
Expansion	1 x mPCIe with SIM Slot 1 x mPCIe Supports mSATA

I/O

MIO	1 x SATA II, 2 x Mini PCIe, 1 x SIM, 2 x RS-232/422/485 (COM1 Selected by BIOS, COM2 Selected by Switch), 4 x RS-232 (Option), 1 x CF-SATA/CF, 1 x Mic/Line-in/Line-out, 2 x LAN (1 x Optional K/B & Mouse)
USB	1 USB 3.0, 5 USB 2.0
DIO	16-bit General Purpose I/O for DI and DO

Display

Chipset	Valleyview SoC Integrated Graphics
Resolution	DP, eDP (2560 x 1600 @ 60 24bpp) HDMI 1.4a (1920 x 1200 @ 60 24bpp)
Multiple Display	HDMI + LVDS
HDMI	HDMI 1.4a
LCD Interface	LVDS

Touch Screen Interface

Chipset	EETI
Touch Interface	USB, 5-wire Resistive

Audio

HD Codec	Realtek ALC892 Supports 5.1-CH Audio
Audio Interface	Mic-in, Line-in, Line-out
Audio Amplifier	5W Amplifier

Ethernet

LAN Chip	Bay Trail-I: 2 x Intel® I210IT Gigabit Ethernet Controller Bay Trail-M/D: 2 x Intel® I211AT Gigabit Ethernet Controller
Ethernet Interface	10/100/1000 Base-Tx Gigabit Ethernet Compatible

Mechanical & Environmental

Power Requirement	+12V ~ 26V
Power Type	AT/ATX
Operating Temperature	0°C ~ 60°C (BayTrail-D/M) -40°C ~ 85°C (BayTrail-I)
Storage Temperature	-40 ~ 85°C (-40 ~ 185°F)
Operating Humidity	0% ~ 90% Relative Humidity, Non-condensing
Size (L x W)	8" x 5.75" (203mm x 146mm)
Weight	0.55lb (0.25kg)

Ordering Information

EBM-BYT

Intel® Atom™ E3845 Processor 5.25" Mini Module